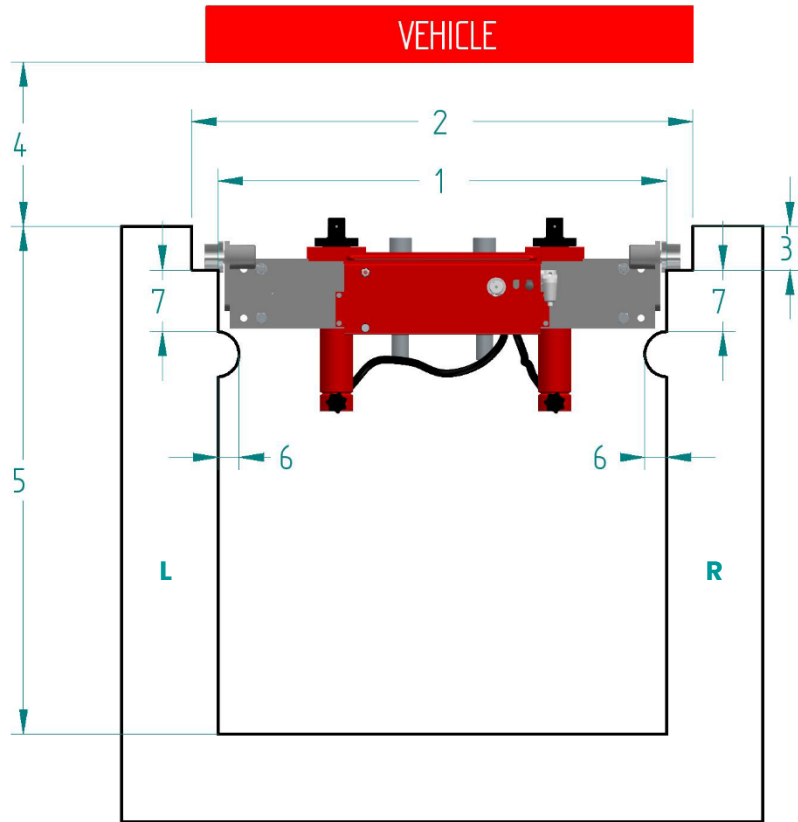


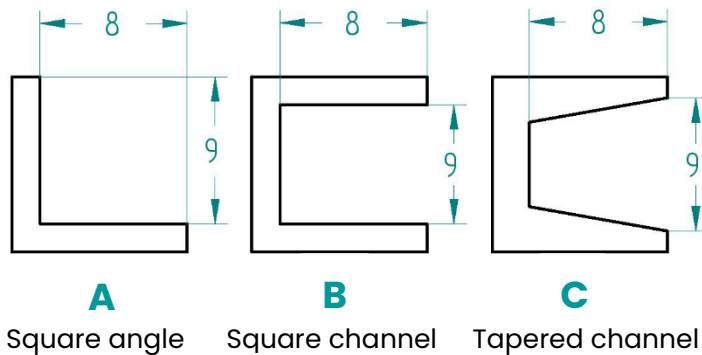


Pit Jack Survey Form

Please send completed form by email to:
sales@abcohydraulics.com



Pit Rail Type



DRAWING REF	RECORDED DIMENSION (in mm)	
1		
2		
3		
4		
5		
6	L:	R:
7	L:	R:
8		
9		
A/B/C		

Please indicate workshop air line position: **L/R**

Do you have access to a forklift truck? **Y/N**

OPTIONAL EXTRAS - please tick

Left Hand Air Supply Kit (011-20002) + £50.00

Adaptor Carrier Plate (013-50016) + £45.00

Signature/date:

Delivery address:

.....

Phone number: